



# Tulsa Valve

*We Control The Flow*



## Ball Check Valves

ISO 9001:2000 Certified  
Certificate No. C2007-01814





## Carbon Steel - Ductile Iron

Ball Check Valve manufactured in compliance with:  
ASME B3.1 Pipe Threads  
Limited Compliance to:  
ASME B&PVC Sections 2 and 8  
Design and Material Requirements

**Ball Check Valves** by Tulsa Valve provide the oil patch with dependable, trouble-free, competitively priced, high quality ball check valves.

Our Ball Check Valves are available in ductile iron or carbon steel. They come in 1" and 2" sizes. Our ball check valves are full-opening to ensure a very low pressure drop. Downtime and maintenance are reduced.

All of our check valves conform to NACE MR0175 requirements to meet your corrosive service needs. Tulsa Valve performs 100% pressure testing on all of our ball check valves.

Our Ball and seat design are self-aligning to ensure zero leakage. The molded Seat Seal design ensures a seal at 1 (one) psi differential. All valves are full opening to ensure a very low pressure drop.

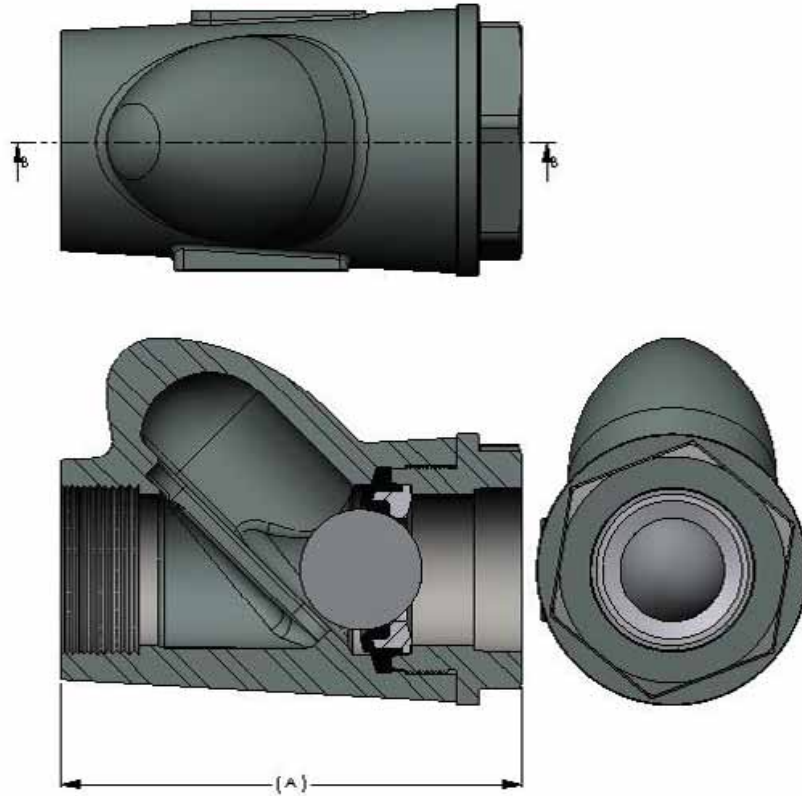
### Features Include:

- Ductile Iron Ball Check Valves
- Carbon Steel Ball Check Valves
- 1" to 2" Size Range
- Ductile Iron: 1000 to 2000 WOG Pressure Range
- Carbon Steel: 2000 to 5000 WOG Pressure Range
- NPT Threaded Ends
- Viton or Buna-N Seats

## Material Specifications

	Part	Ductile Iron	Carbon Steel
1	Body	ASTM A395 Ductile Iron	ASTM A216 Gr WCB
2	Adapter	ASTM A395 Ductile Iron	ASTM A216 Gr WCB
3	Ball	316 SS	316 SS
4	Seat	Buna-N (Viton Optional)	Buna-N (Viton Optional)

Notes: Buna-N Rated to 200 Deg F max. Viton Rated to 400 Deg F Max.  
\*All materials subject to restrictions outlined in NACE MR0175.



**Dimensions/Specifications**

Material	Model #	Size	End Connection	Working Press	Weight (lbs)	Dimensions (in)
						A- Overall Length
Ductile Iron	TV-B11033	1"	FNPT	1000	4	4-1/2
	TV-B11533	1"	FNPT	1500	4	
	TV-B12033	1"	FNPT	2000	4	
	TV-B21033	2"	FNPT	1000	13	6-5/8
	TV-B21533	2"	FNPT	1500	13	
	TV-B22033	2"	FNPT	2000	13	
Carbon Steel	TV-B12033S	1"	FNPT	2000	5	4-1/2
	TV-B13033S	1"	FNPT	3000	5	
	TV-B15033S	1"	FNPT	5000	5	
	TV-B22033S	2"	FNPT	2000	14	6-5/8
	TV-B23033S	2"	FNPT	3000	14	
	TV-B25033S	2"	FNPT	5000	14	

# Ball Check Valves



Tulsa Valve is an oil field and industrial valve manufacturer. Tulsa Valve Products are made of the highest quality materials and workmanship. We test every valve to the appropriate standards and maintain material and product traceability on all valves. Our valves are designed to meet the customers best expectations and we pride ourselves on our ability to meet these expectations.

**Products we manufacture:** Ball Check Valves, Threaded Swing Check Valves, Shut-off Pig Valves, By-pass Pig Valves, Casing Ball Valves, and Flanged Check Valves.

*Tulsa Valve is a member of Array Holdings, a group of affiliated companies proudly serving the domestic and international energy industry.*

## Terms and Conditions

**Warranty:** Tulsa Valve products are guaranteed against defects of material workmanship for One (1) Year from date of invoice provided such products are used normally and within the service and pressure range for which they were manufactured. This guarantee is limited to the repair, replacement or repayment of purchase price. Under no conditions will Tulsa Valve be liable for claim of labor for removal, repair or replacement of Tulsa Valve products, or any other consequential damage.

**Cancellation:** Firm orders which have been accepted and entered are not cancellable except by written authorization from Tulsa Valve, unused material may be returned upon written consent from Tulsa Valve and credit will be issued only on material returned within one year from date of purchase. Tulsa Valve reserves the right to deduct reconditioning and handling charges when issuing credit for returned material. Credit may be used only for the purchase of merchandise and is not subject to cash reimbursement or cash payments.



P.O. Box 35  
Cleveland, OK 74020  
1-800-895-1380  
Phone: (918)358-3494 • Fax: (918)358-3595  
Email: sales@tulsavalve.com