



Tulsa Valve

We Control The Flow



Threaded Swing Check Valves

ISO 9001:2000 Certified
Certificate No. C2007-01814



Threaded Swing Check Valves



Carbon Steel - Ductile Iron

Swing Check Valve manufactured in compliance with:
ASME B3.1 Pipe Threads
Limited Compliance to:
ASME B&PVC Sections 2 and 8
Design and Material Requirements

Flow Coefficients

| Size | CV |
|------|------|
| 1" | 60 |
| 2" | 240 |
| 3" | 665 |
| 4" | 1300 |

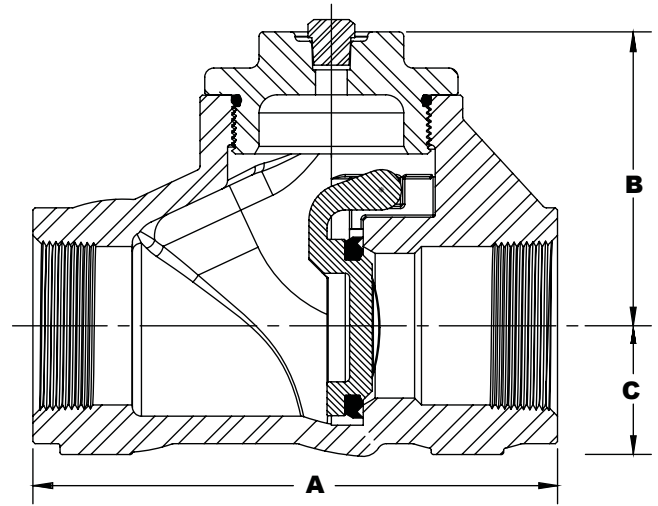
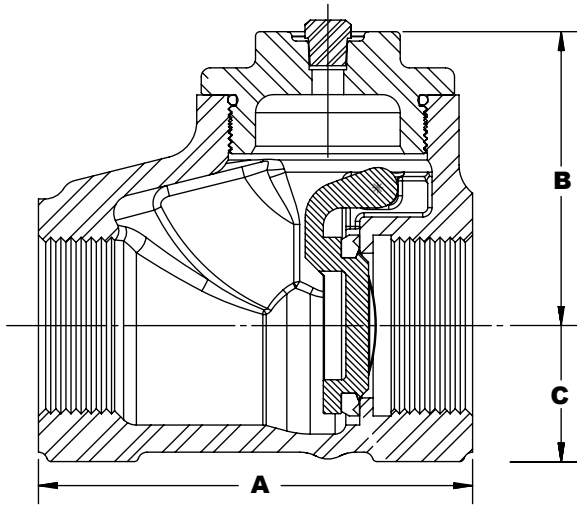
Threaded Swing Check Valves are available in ductile iron or carbon steel and provide the oil patch with a dependable, trouble free, quality check valve. All of our Threaded Swing Check valves conform to NACE MR0175 requirements to meet your corrosive service needs. Down-time and maintenance are reduced.

Our clapper and seat design are beveled and self-aligned to ensure zero leakage. The molded clapper seal design insures a seal at 1 (one) psi differential. All valves are full opening through conduit design to ensure a very low pressure drop. They are in-line, in-field repairable. Our Check Valves are of the highest quality available at very competitive prices.

Threaded Swing Check Valves come in 1/2 " thru 4" sizes. All of our Threaded Swing Check valves conform to NACE MR0175 requirements. Our Threaded Swing Check Valves are full opening to ensure a very low pressure drop. Tulsa Valve performs 100% pressure testing on all of our Threaded Swing Check Valves.

Features Include:

- Ductile Iron and Carbon Steel Swing Check Valves
- 1/2" to 4" Size Range
- Ductile Iron: 300 to 2000 WOG Pressure Range
- Carbon Steel: 720 to 3600 WOG Pressure Range
- Large Ports
- NPT Threaded Ends



Material Specifications

| | Part | Ductile Iron | Carbon Steel |
|---|-------------------|--|--|
| 1 | Body | ASTM A395 Ductile Iron | ASTM A216 WCB Carbon Steel |
| 2 | Clapper | CF8M Stainless Steel | |
| 3 | Clapper Seal | Peroxide Cured Buna-N (Viton Optional) | Peroxide Cured Buna-N (Viton Optional) |
| 4 | Cover Seal O-ring | Peroxide Cured Buna-N (Viton Optional) | Peroxide Cured Buna-N (Viton Optional) |
| 5 | Cover | ASTM A395 Ductile Iron | ASTM A216 WCB Carbon Steel |
| 6 | 1/4 Pipe Plug | Carbon Steel (2" Valve Only) | Carbon Steel (2" Valve Only) |

Notes: Buna-N Rated to 200 Deg F max. Viton Rated to 400 Deg F Max.

*All materials subject to restrictions outlined in NACE MR0175.

Threaded Swing Check Valves



| Dimensions / Specifications | | | | | | | | | | |
|-----------------------------|----------|---------|---------|---------------|--------------|-----------------|-------|-------|---|-------|
| Material | Model # | Size | End | Working Press | Weight (lbs) | Dimensions (in) | | | | |
| | | | | | | A | B | C | | |
| Ductile Iron | TV11033 | 1" | FNPT | 1000 | 5 | 4-1/4 | 3 | 1-1/4 | | |
| | TV11533 | 1" | FNPT | 1500 | 5 | | | | | |
| | TV12033 | 1" | FNPT | 2000 | 5 | | | | | |
| | TV20313 | 2" | FNPT | 300 | 10 | 6 | 3-7/8 | 1-3/4 | | |
| | TV20313L | 2" | FNPT | 300 | 12 | 7-1/4 | | | | |
| | TV20313G | 2" | GROOVED | 300 | 10 | 7 | | | | |
| | TV20613 | 2" | FNPT | 600 | 10 | 6 | | | | |
| | TV20613L | 2" | FNPT | 600 | 12 | 7-1/4 | | | | |
| | TV20613G | 2" | GROOVED | 600 | 10 | 7 | | | | |
| | TV20753 | 2" | FNPT | 750 | 10 | 6 | | | | |
| | TV21033 | 2" | FNPT | 1000 | 11 | 6 | | | | |
| | TV21033L | 2" | FNPT | 1000 | 13 | 7-1/4 | | | | |
| | TV21533 | 2" | FNPT | 1500 | 11 | 6 | | | | |
| | TV21533L | 2" | FNPT | 1500 | 13 | 7-1/4 | | | | |
| | TV22033 | 2" | FNPT | 2000 | 11 | 6 | | | | |
| | TV22033L | 2" | FNPT | 2000 | 13 | 7-1/4 | | | | |
| | TV30313 | 3" | FNPT | 300 | 17 | 8 | 5-1/2 | 2-3/8 | | |
| | TV30313G | 3" | GROOVED | 300 | 16 | 8-7/8 | | | | |
| | TV30613 | 3" | FNPT | 600 | 17 | 8 | | | | |
| | TV30613G | 3" | GROOVED | 600 | 16 | 8-7/8 | | | | |
| | TV31033 | 3" | FNPT | 1000 | 18 | 8 | | | | |
| | TV31533 | 3" | FNPT | 1500 | 18 | 8 | | | | |
| | TV32033 | 3" | FNPT | 2000 | 18 | 8 | 6-3/8 | 3 | | |
| | TV40313 | 4" | FNPT | 300 | 35 | 10 | | | | |
| TV40313G | 4" | GROOVED | 300 | 35 | 10-7/8 | | | | | |
| TV40613 | 4" | FNPT | 600 | 35 | 10 | | | | | |
| TV41033 | 4" | FNPT | 1000 | 35 | 10 | 8-3/4 | 5-1/4 | 2.42 | | |
| TV11753S | 1" | FNPT | 720 | 5 | 4-1/4 | | | | 3 | 1-1/4 |
| TV11533S | 1" | FNPT | 1440 | 5 | | | | | | |
| TV12033S | 1" | FNPT | 2160 | 5 | | | | | | |
| TV13033S | 1" | FNPT | 3000 | 5 | | | | | | |
| TV13633S | 1" | FNPT | 3600 | 5 | | | | | | |
| TV20753S | 2" | FNPT | 720 | 13 | 7-1/4 | | 3-7/8 | 1-3/4 | | |
| TV21533S | 2" | FNPT | 1440 | 13 | | | | | | |
| TV22033S | 2" | FNPT | 2160 | 13 | | | | | | |
| TV23033S | 2" | FNPT | 3000 | 14 | | | | | | |
| TV23633S | 2" | FNPT | 3600 | 15 | 8-3/4 | | 5-1/4 | 2.42 | | |
| TV31753S | 3" | FNPT | 720 | 34 | | | | | | |
| TV31533S | 3" | FNPT | 1440 | 34 | | | | | | |
| TV32033S | 3" | FNPT | 2160 | 34 | | | | | | |
| TV33033S | 3" | FNPT | 3000 | 35 | | | | | | |
| TV33633S | 3" | FNPT | 3600 | 36 | | | | | | |



Tulsa Valve is an oil field and industrial valve manufacturer. Tulsa Valve Products are made of the highest quality materials and workmanship. We test every valve to the appropriate standards and maintain material and product traceability on all valves. Our valves are designed to meet the customers best expectations and we pride ourselves on our ability to meet these expectations.

Products we manufacture: Ball Check Valves, Threaded Swing Check Valves, Shut-off Pig Valves, By-pass Pig Valves, Casing Ball Valves, and Flanged Check Valves.

Tulsa Valve is a member of Array Holdings, a group of affiliated companies proudly serving the domestic and international energy industry.

Terms and Conditions

Warranty: Tulsa Valve products are guaranteed against defects of material workmanship for One (1) Year from date of invoice provided such products are used normally and within the service and pressure range for which they were manufactured. This guarantee is limited to the repair, replacement or repayment of purchase price. Under no conditions will Tulsa Valve be liable for claim of labor for removal, repair or replacement of Tulsa Valve products, or any other consequential damage.

Cancellation: Firm orders which have been accepted and entered are not cancellable except by written authorization from Tulsa Valve, unused material may be returned upon written consent from Tulsa Valve and credit will be issued only on material returned within one year from date of purchase. Tulsa Valve reserves the right to deduct reconditioning and handling charges when issuing credit for returned material. Credit may be used only for the purchase of merchandise and is not subject to cash reimbursement or cash payments.